



SUPER
塑寶牌

塑寶[®]

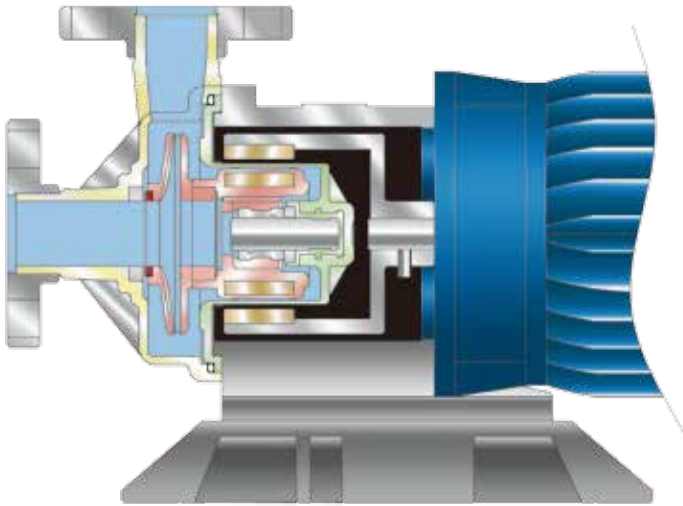
磁力驅動系列
HM 型無軸封耐酸鹼泵浦

Magnetic drive Sealless chemical pump



SUPER PUMPS

INTERIOR PARTS 內部元件



No friction seal, this seal-less construction eliminates the leakage may caused by mechanical seal and can be applied to various applications.

不需要磨耗的機械軸封，此一無軸封設計排除了機械軸封所可能導致的洩漏問題，且用途廣泛。

FEATURES OF CRITICAL PARTS 重要設計/特殊零件



- A** Oval-shaped flange holes suit different standards like DIN, JIS and ANSI. Easy for mounting.
法蘭以橢圓形螺絲孔設計，適合 DIN，JIS 及 ANSI 等各種尺寸，安裝便利。



- B** Available engineering plastic FRPP and PVDF prevent the attack of most chemicals.
泵體採用 FRPP, CFRPP, PVDF 等各種塑鋼材料射出成型，可適用於大部分的化學藥水。



- C** New embedded construction makes the impeller extremely strong and also extends its service life.
新型葉輪的嵌入式結構大大地強化了葉輪的強度，也延長其使用壽命。



- D** Small, powerful magnets maximizes efficiency and long term use.
採用強力磁鐵，體積小，磁力強，驅動力大，永不退磁。



- E** High-purity aluminum oxide, SSIC, Rulon and various other low friction part materials are available that compliment the pump's anti-corrosive features.
高純度氧化鋁，碳化矽，Rulon 選用不同的磨耗零件使泵浦的耐腐蝕力更優良。



- F** Unique engineering plastic bracket construction, excellent in anti-corrosion, light and handy and more powerful strength. Small window enables you to check the rotating direction easily.
專利設計以塑鋼接合座製成，耐腐蝕性優良，輕便，強度更佳，塑鋼接合座上有視窗設計，可目視運轉方向。

MODEL IDENTIFICATION

型號說明

HM **F - 65** **5** **H** **C - 6** **V** **C** **S** **N**
1 **2** **3** **4** **5** **6** **7** **8** **9** **10** **11**

- (1) Type機型編號-HM
- (2) Pump Material 泵體材質 F-FRPP K-PVDF P-CFRPP
- (3) In-Outlet口徑
40:1-1/2"X2"
60:2"X2-1/2"
65:2-1/2"X2-1/2"
70:2-1/2"X3"
- (4) Power馬力
2-2HP 3-3HP
5-5HP 7-7.5HP
- (5) Head揚程
L-Low Head低揚程
H-High Head高揚程
- (6) Shaft軸心
C-Ceramic/陶瓷
S-SSIC T-鈦
- (7) Frequency頻率
5-50HZ 6-60HZ
- (8) Elastomer橡膠材質
V-VITON N-NBR
E-EPDM H-HV
- (9) Bearing Material軸受材質
R-RULON C-Carbon/炭素
A-Ceramic/陶瓷 E-ETFE
S-SSIC T-Teflon
- (10) Base腳座
S-Flaf Base/平板腳座
H-Standard Base/長腳座
- (11) Model規格
N-Standard/標準規格
S-Special(Sp-Gravity)
/特殊規格(有比重)
4-4Pole Motor/4極電機
Y-永磁電機

- 採用塑膠材質射出成型，依客戶使用之化學性選擇不同材質，耐酸、耐鹼。
- 可耐大部分的化學性，適合各種酸鹼液循環冷卻輸送作業。
- 適用溫度：FRPP，CFRPP，PVDF-85°C以下，視各種化學性之不同而定。
- 塑膠射出成型之底座，輕便，耐腐蝕。
- Various plastic injection molded parts for different chemicals.
- Anti-corrosion for various chemicals, suitable for acid and alkaline solution circulating.
- Max. fluid temperature: FRPP/CFRPP/PVDF 85°C, depending on the chemicals.
- Injection molded plastic frame, portable and corrosion-resisted.

SPECIFICATIONS PERFORMANCE CHART

規格/性能曲線

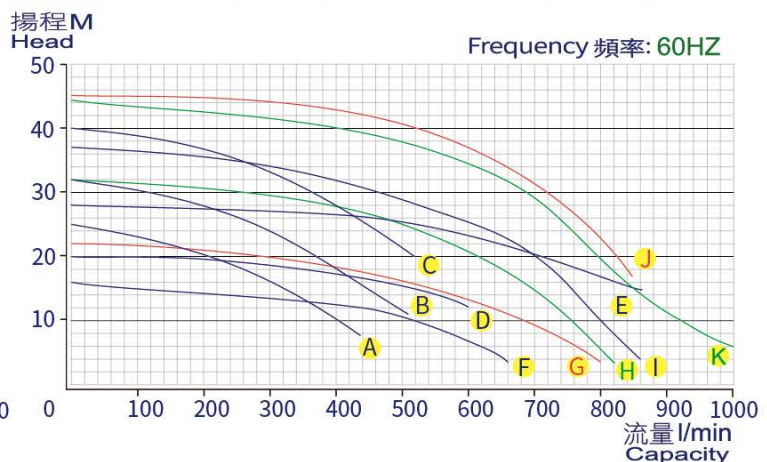
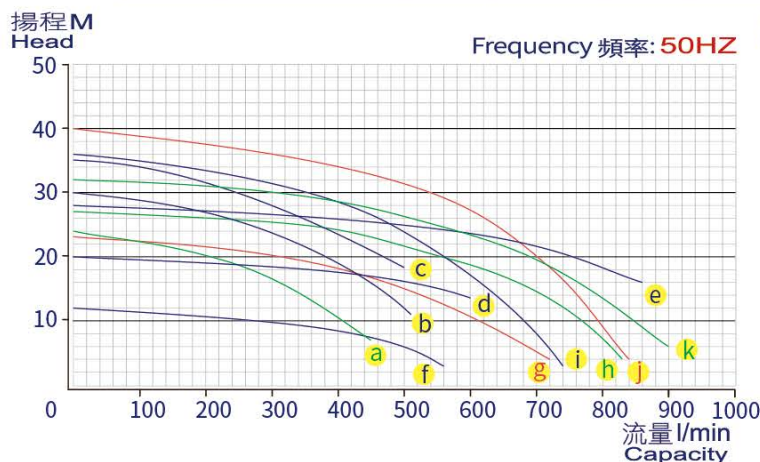
※ 重量/性能以實物為準

Weight / Performance Is For Reference Only Actual Product May Vary

(測試流體：水 比重1.0)

Test Fluid : Water Sp.Gravity 1.0

Model 型式	In/Outlet 進出口徑 (In)	Power 馬力			50HZ			60HZ			Weight 重量kg (參考值)
		Phase 相數	HP	Pole 極數	Curve 曲線	Max.Head 全揚程 M	Max.Flow 全流量 L/min	Curve 曲線	Max.Head 全揚程 M	Max.Flow 全流量 L/min	
402H	2" X 1-1/2"	3	2	2	a	24	450	A	25	435	26/38
503H	2" X 2"	3	3	2	b	30	510	B	32	510	26/38
505H	2" X 2"	3	5	2	c	35	500	C	39	520	41/55
603L	2-1/2" X 2"	3	3	2	d	20	600	D	20	600	29/41
605H	2-1/2" X 2"	3	5	2	e	28	860	E	28	860	41/55
652L	2-1/2" X 2-1/2"	3	2	4	f	12	560	F	16	660	29/41
653L	2-1/2" X 2-1/2"	3	3	2	g	23	720	G	22	800	29/41
655L	2-1/2" X 2-1/2"	3	5	2	h	27	830	H	32	820	41/55
655H	2-1/2" X 2-1/2"	3	5	2	i	36	740	I	37	860	41/55
657H	2-1/2" X 2-1/2"	3	7.5	2	j	40	840	J	45	850	51/66
707	3" X 2-1/2"	3	7.5	2	k	32	900	K	44	1000	51/66



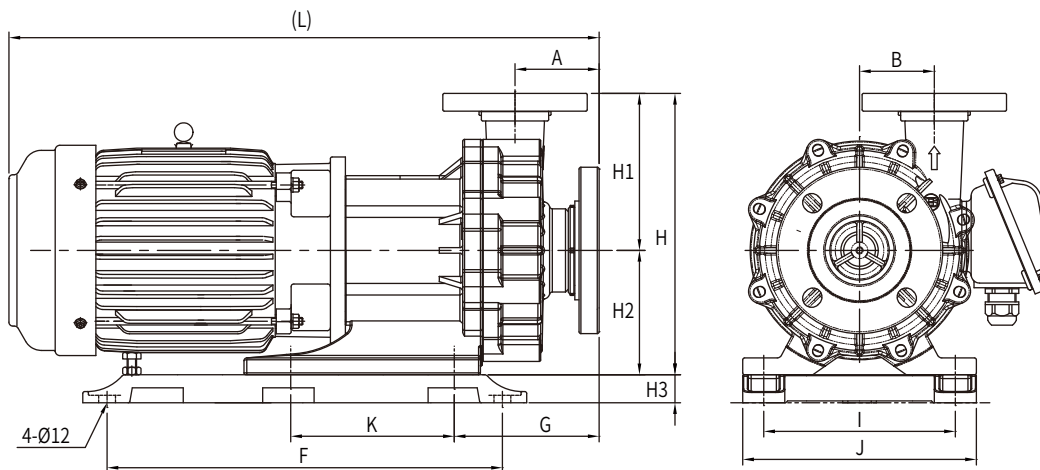
HM2-2 ~ 7-7.5 H P



CONSTRUCTION 零件圖表

1	2	3	4	4-1	4-2	4-4	4A	5	6
馬達 Motor	外驅動磁鐵 Drive Magnet	接合座 Frame	後蓋含軸心 Rear cover and shaft	墊片 Washer	軸心 Shaft	後蓋 Rear cover	後蓋鐵片 Housing Stiffener	封蓋O環 Casing O-ring	葉輪內磁 Drive Magnet
FC/Alu	Magnet	FRPP	FRPP/PVDF CFRPP	Ceramic/SSIC Titanium	Ceramic/SSIC Titanium	FRPP/PVDF CFRPP	Zinc plated iron	NBR/EPDM VITON	FRPP/PVDF CFRPP
6-1	7	8	9	10					
葉輪軸受 Impeller Bearing	葉輪 Impeller	前蓋 Front Casing	前蓋與接合座 固定螺絲/Bolts	腳架 Base					
Rulon/Carbon Ceramic/SSIC T-Teflon	FRPP/PVDF CFRPP	FRPP/PVDF CFRPP	SUS304	FRPP					

DIMENSIONS 外觀尺寸

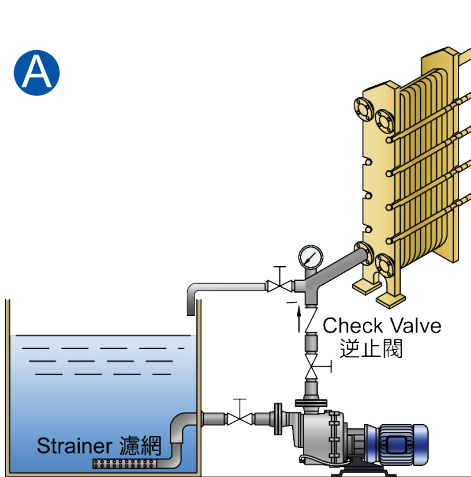


DIMENSION 尺寸表

Unit (單位):mm

Model 型式	In-Outlet進出口徑 Dimension(mm)	A	B	H1	H2	H	H3	(L)	F	G	I	J	K
402H	50 x 40	91	80	162	120	282	30	588	423	150	205	250	175
503H	50 x 50	91	80	162	120	282	30	588	423	150	205	250	175
505H	50 x 50	91	80	162	133	295	30	626	423	150	205	250	175
603L	65 x 50	90	80	168	133	301	30	593	423	155	205	250	175
605H	65 x 50	90	80	168	133	301	30	631	423	155	205	250	175
652L	65 x 65	90	80	168	133	301	30	593	423	155	205	250	175
653L	65 x 65	90	80	168	133	301	30	593	423	155	205	250	175
655L	65 x 65	90	80	168	133	301	30	631	423	155	205	250	175
655H	65 x 65	90	80	168	133	301	30	631	423	155	205	250	175
657H	65 x 65	90	80	168	133	301	30	671	423	155	205	250	175
707	70 x 65	90	80	168	133	301	30	671	423	155	205	250	175

A

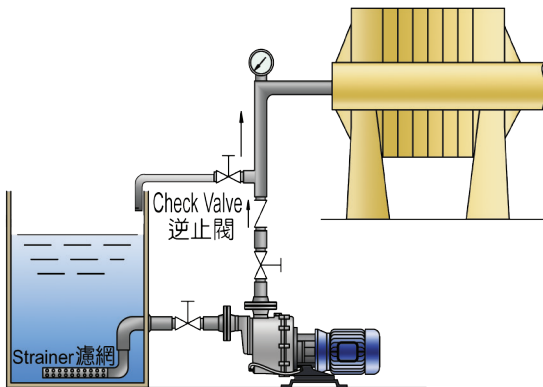


Example A

1. While applied to heat-exchanger, install a pressure gauge at the outlet to make sure no clog inside the pipeline.
2. Install a strainer at the inlet to stop articles or objects entering the pump. It also cut down the bubbles.
3. Install valves at the inlet and outlet for easy maintenance.
4. The diameter of each hole in the strainer should be approximately 5~7mm and the total mesh area of the strainer should be 5~10 times the area of the inlet.
It's better to enlarge the inlet pipeline. For example, enlarged 2-1/2" inlet pipeline could drop the resistance loss.
5. Set an overflow piping at the outlet pipeline and keep constantly opened to allow little overflow

1. 當應用於熱交換器時，於出口加裝壓力錶，以確定管路中有沒有阻塞。
2. 於入口加裝濾網，以阻止外物進入泵浦，也會減少氣泡的出現。
3. 於出入口的管路中加裝閥門，以便維護。
4. 濾網網孔的直徑應為約5~7mm，且濾網孔的面積應為入口管徑之5~10倍，入口管路最好加大管徑，如泵入口為2"，改配2-1/2"入口管，預防吸入量的不足。
5. 出水口配有回流管，正常開啟閥門，少量回流。

B

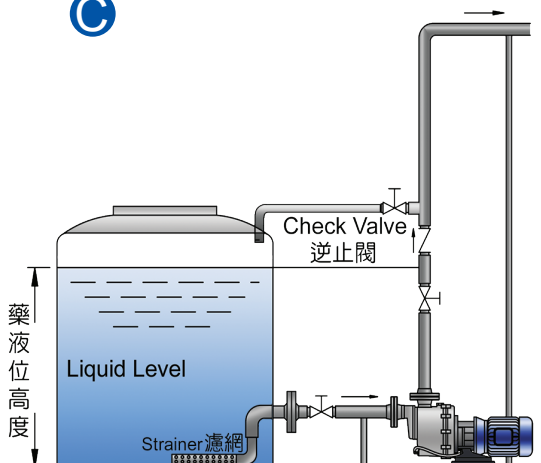


Example B

1. In order to monitor the flow and to detect possible clog of the filter, please set a pressure gauge at the outlet.
2. To eliminate damage caused by dry-running, please install a pressure safety shutoff.
3. Please clean up particles in the pump after operation.
4. Strainer is easy to be clogged. Clean it as usual.
5. The diameter of each hole in the strainer should be approximately 5~7mm and the total mesh area of the strainer should be 5~10 times the area of the inlet.
It's better to enlarge the inlet pipeline. For example, enlarged 2-1/2" inlet pipeline could drop the resistance loss.
6. Install valves at the inlet and outlet for easy maintenance.
7. Set an overflow piping at the outlet pipeline and keep constantly opened to allow little overflow.

1. 為了監視液體流動及偵測過濾機中可能的阻塞，請於出口加裝壓力錶。
2. 請加裝壓力保護斷電器以避免因空轉損壞。
3. 操作完畢，請清除泵浦中的外來物。
4. 注意入口濾網容易受阻塞，應時常清洗。
5. 濾網網孔的直徑應為約5~7mm，且濾網孔的面積應為入口之5~10倍，入口管路最好加大管徑，如泵入口為2"，改配2-1/2"入口管，預防吸入量的不足。
6. 於出入口的管路中加裝閥門，以便維護。
7. 出水口配有回流管，正常開啟閥門，少量回流。

C



Example C

1. While applied to pump chemicals from the storage tank, please have a valve set at the inlet for the safety and convenience during maintenance.
2. Please monitor the level of the liquid in the tank to avoid dry-running.
3. Without check lid model is recommended.
4. Please install a check valve at the outlet while the height of piping exceeds 8M. It's better to enlarge the inlet pipeline. For example, enlarged 2-1/2" inlet pipeline could drop the resistance loss.
5. Please fasten in-outlet piping perfectly.
6. The motor shield must be applied while the pump is installed outdoors or in harsh conditions.
7. Set an overflow piping at the outlet pipeline and keep constantly opened to allow little overflow

1. 當應用於抽送儲存槽中之化學藥水時，請於入口加裝閥門，以維安全及維護上之便利。
2. 請監視槽內液體高度，以避免空轉。
3. 建議採用無單向閥機型。
4. 當配管高度大於8米時請於出口加裝逆止閥，逆止閥應高於液位以上，入口管路最好加大管徑，如泵入口為2"、改配2-1/2"入口管，以防吸入量的不足。
5. 請將出入口管線固定好。
6. 當泵浦裝於戶外或惡劣環境中，馬達必需加蓋護罩。
7. 出水口配有回流管，正常開啟閥門，少量回流。



總公司

昇展實業股份有限公司

台灣省台南市永康區中正南路404巷7號

Tel: 886-6-2534546, 2541601

Fax: 886-6-2534226, 2420509

SUPER GIANT ENTERPRISE CO., LTD.
No.7, Lane 404, Chung Cheng South Road, Yen
Hang, Yung Kang, Tainan, Taiwan,

Tel: 886-6-2534546, 2541601

Fax: 886-6-2534226, 2420509

E-mail: super@superpump.tw

Website: www.superpump.tw

www.chemicalfilter.com.cn



上海區 塑寶環保機械

江蘇省太倉市沙溪鎮岳王區

鎮北路16號 215400

Tel: 0512-53303388, 53303398

Fax: 0512-53303588

E-mail: taichang@superpump.cn

Website: www.superpump.cn

廣東區 升展機械

廣東省廣州市增城區新塘鎮

民營西二路9號

(遠航科技園B1座二樓)

Tel: 020-82691835, 82602341~3

Fax: 020-82708706

E-mail: singtown@superpump.cn

Website: www.chemicalpump.cn

訂購時請提供下列資料:

1. 藥液條件: 名稱_____/溫度_____
濃度_____/比重_____/黏度_____
2. 需求流量: _____ L/min
3. 需求揚程: _____ M
4. 馬達: 電壓/頻率

While placing your order...

Please kindly provide us the following information.

1. Chemical: Name_____/Concentration_____
Temperature_____/Specific Gravity_____
Viscosity_____
2. Capacity needed: _____ L/min
3. Head needed: _____ M
4. Power: Voltage/Frequency